



## BSL Series

# B-LFP24-100

to replace lead acid GEL or AGM



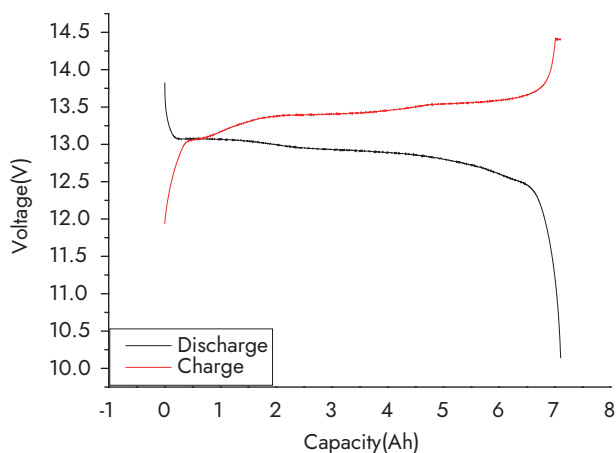
### PRODUCT FEATURES

Designed for Marine/RV/UPS/Lawn Mover/Fish Finder/Access Control Power Energy Storage House Alarm Security applications. BSLBATT's 24V 2560 Wh lithium batteries last up to four times longer than lead-acid batteries. They are maintenance-free, lightweight, and easy to operate.

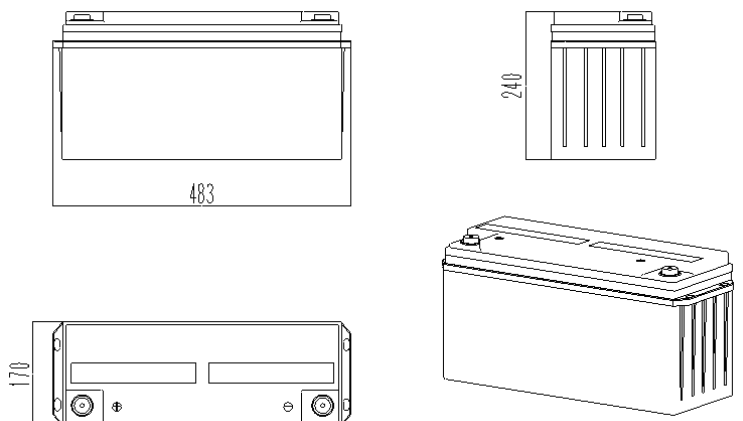
Our B-LFP24-100 is equipped with the industry's leading LFP batteries, the safest lithium battery chemistry available today. This makes it ideal for deep-cycle applications.

### CHARGE AND DISCHARGE CURVE

25.6V 100Ah Charge-Discharge Curve 0.2C, 25 C



### DIMENSION



**Battery Model** **B-LFP24-100**

Nominal Voltage	25.6 V
Typical Capacity	100 ± 1.5 Ah ( At 0.2C discharge rate )
Energy	2560 Wh

**Discharge**

Working Current	0.5 C
Maximum Current	1 C
Cut-off Voltage	About 20 V

**Charge**

Voltage	28.8 ± 0.2 V
Working Current	0.5 C
Max Charging Current	≤ 1 C
Charge Mode	CC/CV, please use special lithium charger
Charging Cut-off Current	About 5 A

**Operation Temperature**

Charge	0°C ~ +55°C
Discharge	-20°C ~ +60°C

**Additional Data**

Storage Temperature	-20°C ~ +45°C
Discharging Inner Resistance	≤ 60 mΩ
Protection Function	Overcharge, over-discharge, over-current, short circuit and other protection functions
Output Mode	M8 Terminal
Shell Material	ABS
Weight	Approx 19 Kg ( Single weight )
Dimension ( L*W*H )	521*243*222.3 ( ±2 ) mm
Modules In Series	2
Cycle	≥3500, 80%DOD ( 0.2C, 25°C )

Note: Parameters can be adjusted according to customer requirements



Facebook



Linkedin



Tiktok



Instagram



Youtube



Drop-in Replacement



Tier One, A+ LiFePO4 Cell Composition



5 Years Warranty Guarantee



Smart Hardware & Software Design



Long Service Life



Eco-Friendly